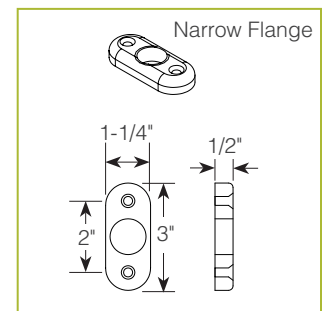
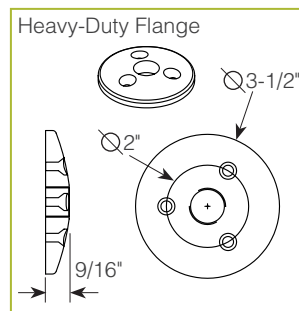
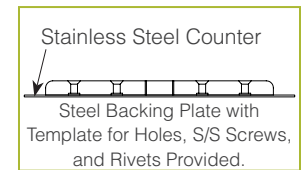
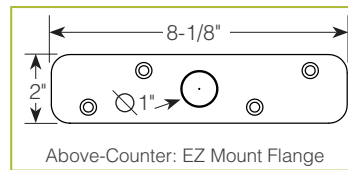
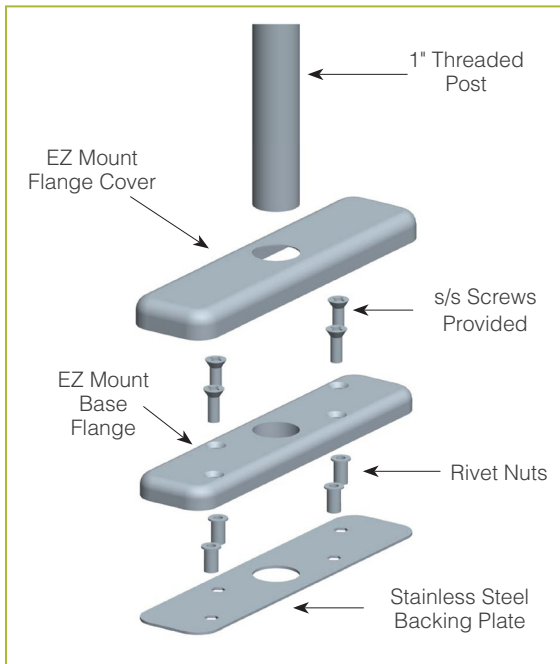
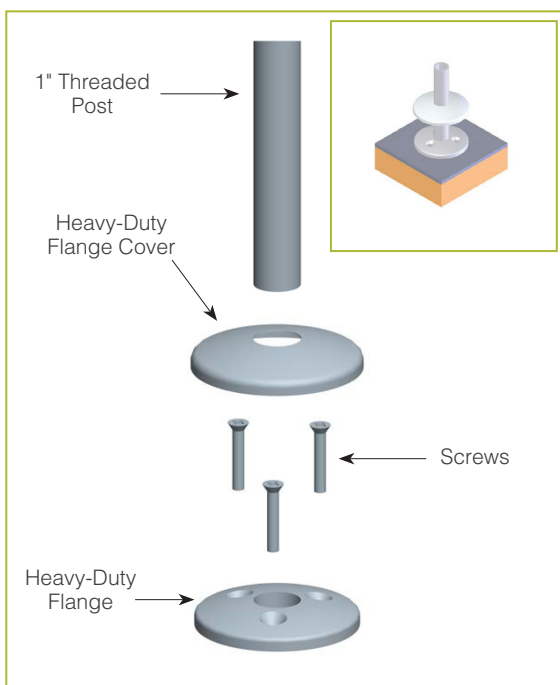


ABOVE-COUNTER INSTALLATION FOR 1" DECO POSTS

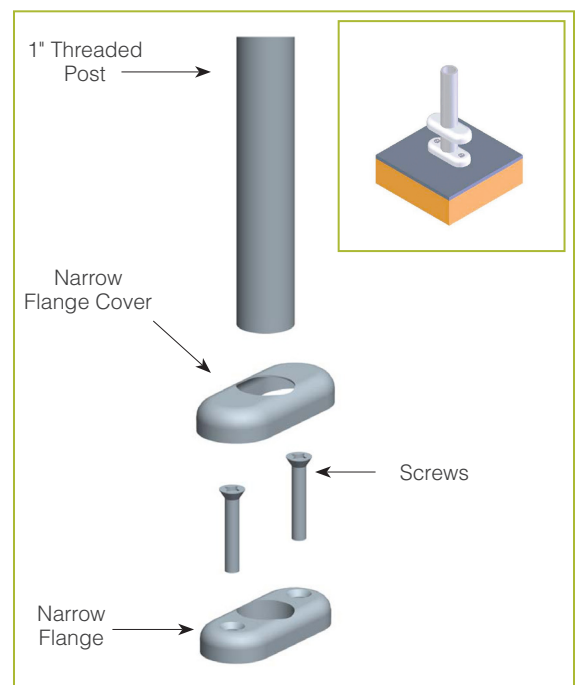
For Stainless Steel Counter
SS1: EZ Mount 2" x 8" Flange



For Millwork Counter
MW1: Heavy-Duty Flange

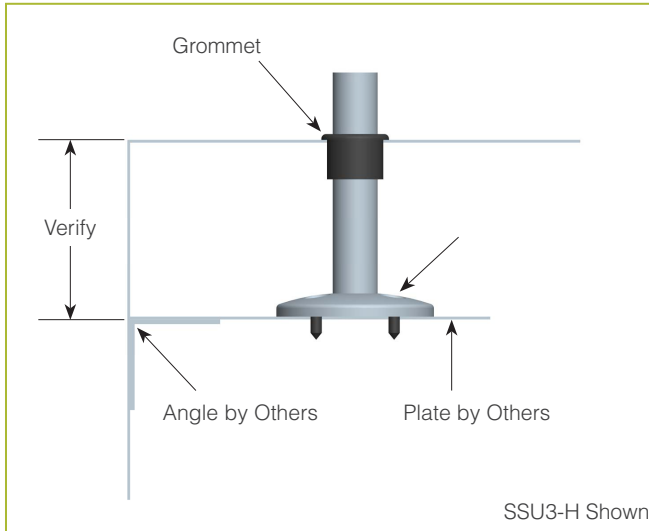


For Millwork Counter
MW2: Narrow Flange

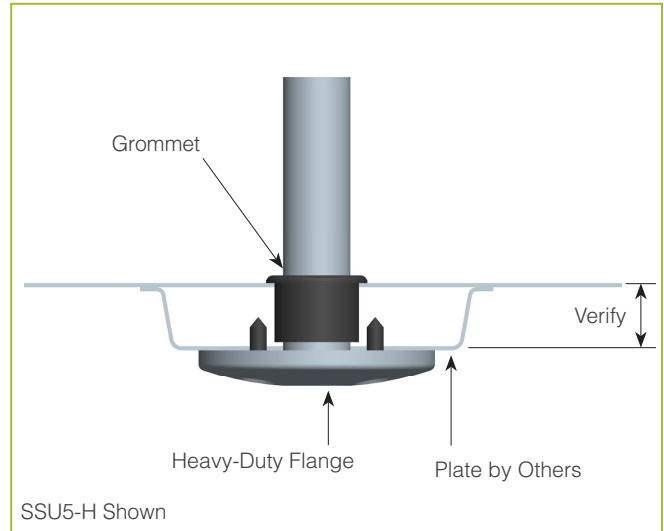


UNDER-COUNTER INSTALLATION FOR 1" DECO POSTS

For Stainless Steel Counter
 (requires under-counter reinforcement and access)
SSU3: Heavy-Duty Flange (-H) or Narrow Flange (-N)

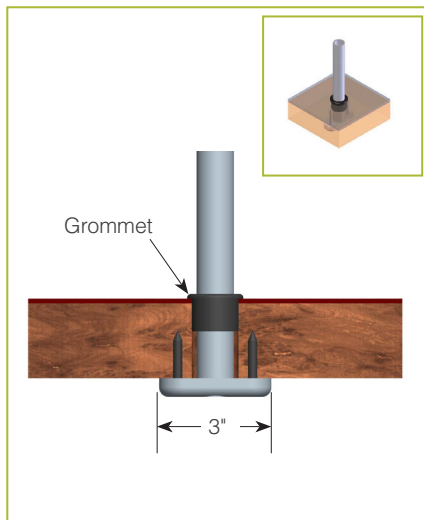


For Stainless Steel Counter
 (requires under-counter reinforcement and access)
SSU5: Heavy-Duty Flange (-H) or Narrow Flange (-N)

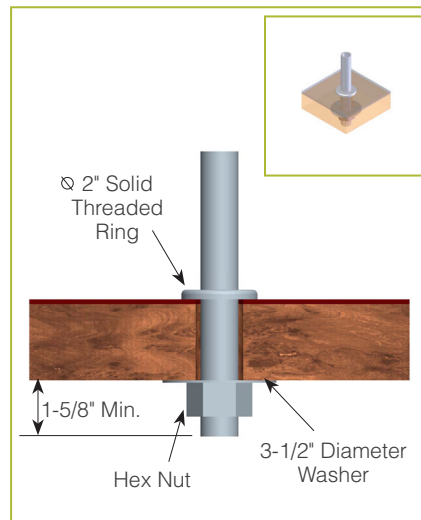


Verify Counter Thickness or Under-Counter Installation Depth in Inches

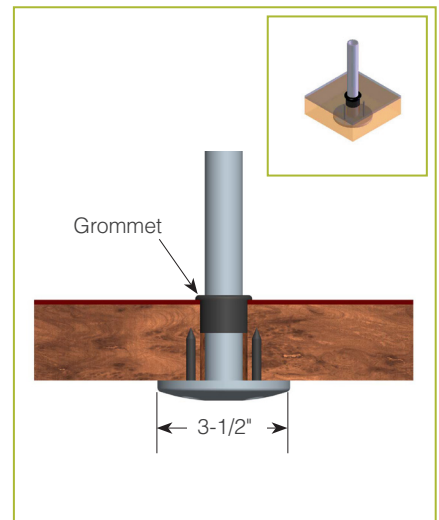
For Millwork Counter
MWU3: Narrow Flange



For Millwork Counter
MWU4: Compression Installation
 (not recommended for solid surfaces)



For Millwork Counter
MWU5: Heavy-Duty Flange



Verify Counter Thickness or Under-Counter Installation Depth in Inches

ABOVE-COUNTER INSTALLATION FOR 1" DECO POSTS

For Millwork or Stainless Steel Counter
Surface Installation 14864 & 14862:

